

SEE DETAIL A(20.000)

Holding Torque ..... 1130 Nm [10,000 lb-in]  
 Release Pressure.....28 bar [400 psi]  
 Maximum release pressure .....207 bar [3,000 psi]  
 Release volume.....11.5 cm<sup>3</sup> [0.7 in<sup>3</sup>]  
 Max. Speed ..... 250 rpm  
 Max. Operating Temperature.....82°C [180°F]  
 Weight ..... 16.8 kg [37 lb]  
 Fluid Type..... Mineral based oil

Material Number	Code Number
1000363	ABR1130K3031AAAAAP

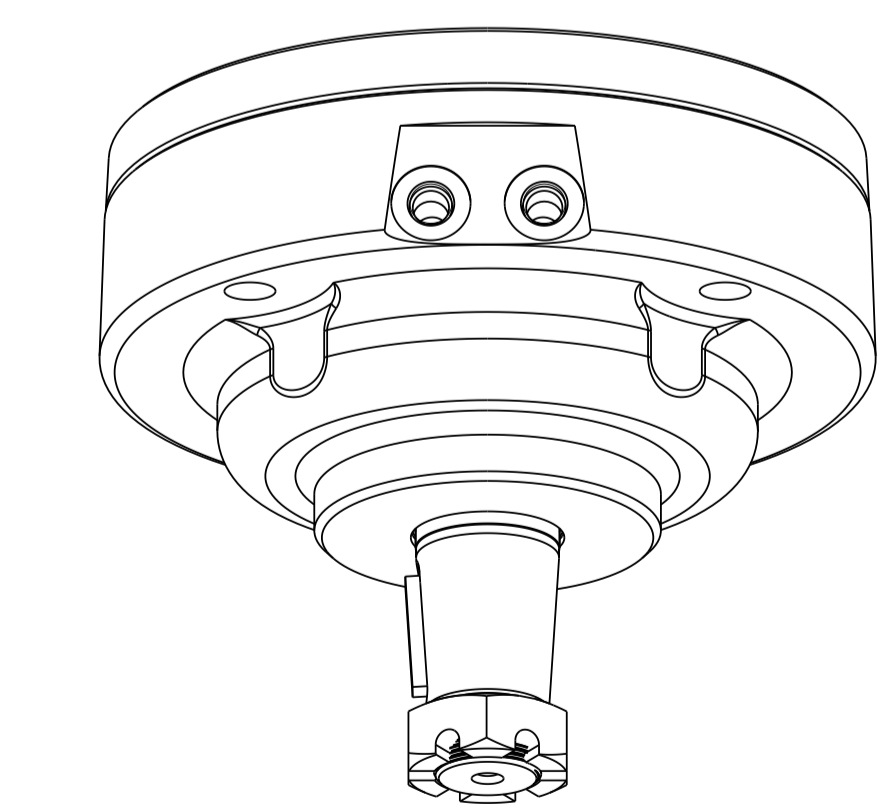
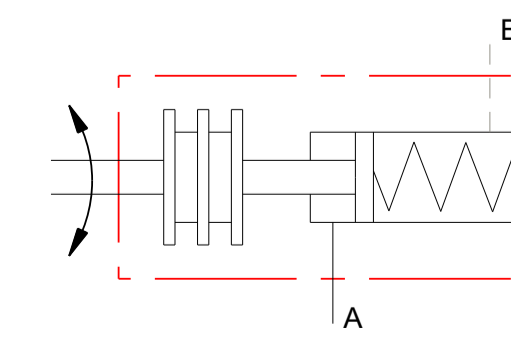
--- SURFACES NOT PAINTED

IF THE SURFACES ARE PAINTED, THEN A NOMINAL 0.13MM NEEDS TO BE ADDED.

TOLERANCE FOR BASIC DIMENSIONS = ± 1MM (.04 INCH)

A: RELEASE PORTS  
 7/16-20 UNF,ISO 11926-1  
 11.5 [.453] MIN.  
 B: FILL HOLE  
 7/16-20 UNF,ISO 11926-1  
 11.5 [.453] MIN.

Painting:Black



LAB OFFICE	UNIT	DATE	ISSUES BY	RAW MATERIAL SPECIFICATION
	MM/MINCHI	Mar-07-23	Liv	
THE REPRODUCTION, DISTRIBUTION AND UTILIZATION OF THIS DOCUMENT AS WELL AS THE COMMUNICATION OF ITS CONTENTS TO OTHERS WITHOUT EXPLICIT AUTHORIZATION IS PROHIBITED. OFFENDERS WILL BE HELD LIABLE FOR THE PAYMENT OF DAMAGES. ALL RIGHTS RESERVED IN THE EVENT OF THE GRANT OF A PATENT, UTILITY MODEL OR DESIGN. (PER ISO 1016)				DRAWING INTERPRETATION PER 504H0074 MATERIAL: [ ] REV: A1 DRAWING TITLE: ABR1130K3031AAAAAP SCALE: 1:000 SHEET 1 OF 1 PART NO: